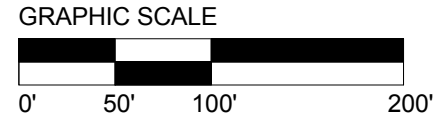


KEY

- dune structure to remain
- - - dune structure to be repaired
- concrete path to remain
- ~ existing wooded area to remain
- overlook/widened structure to remain
- overlook/widened structure to be repaired/rebuilt within existing footprint



APPROX. LIMIT OF KRUSE PARK PROPERTY

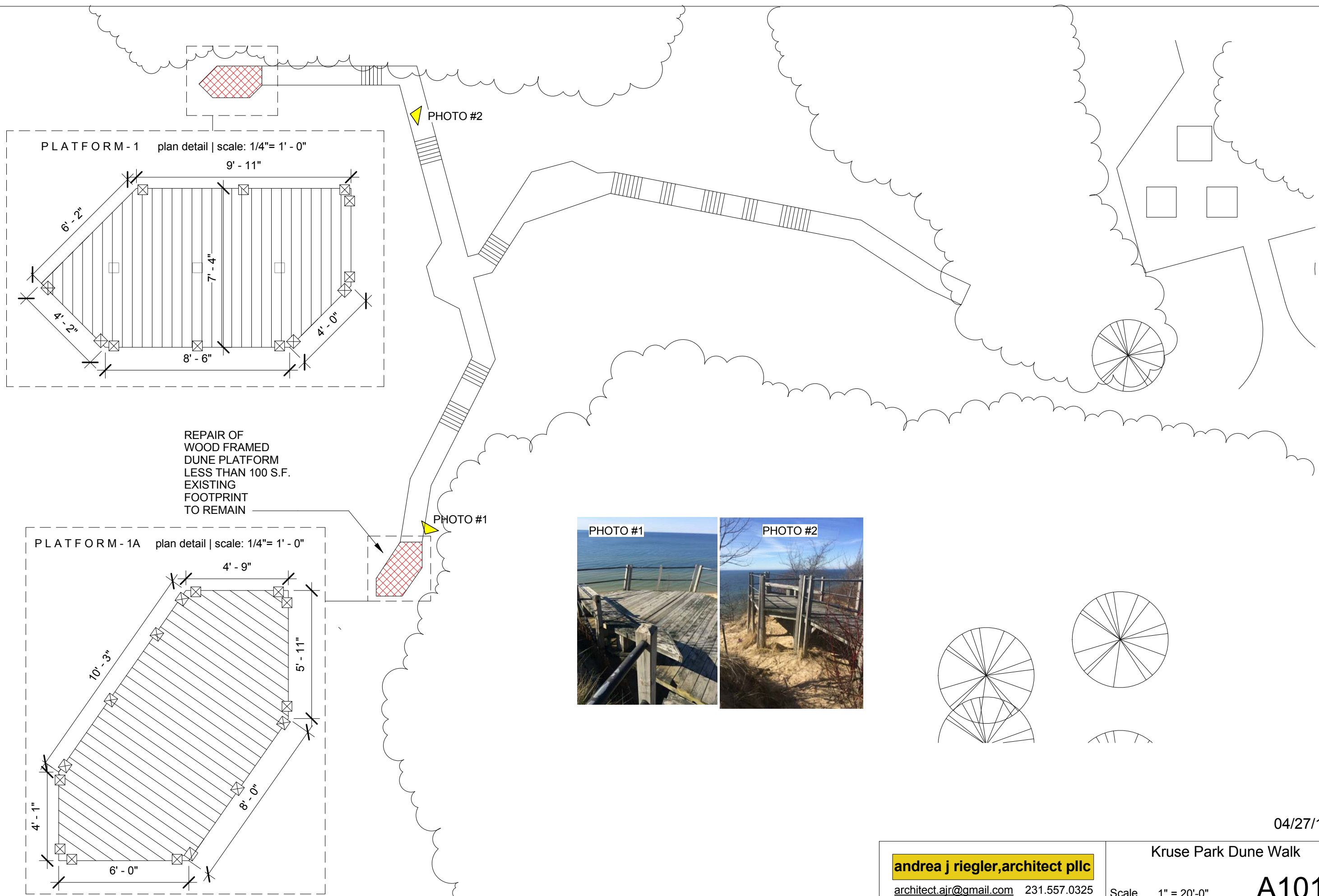
04/27/16

andrea j riegler,architect pllc
 architect.ajr@gmail.com 231.557.0325

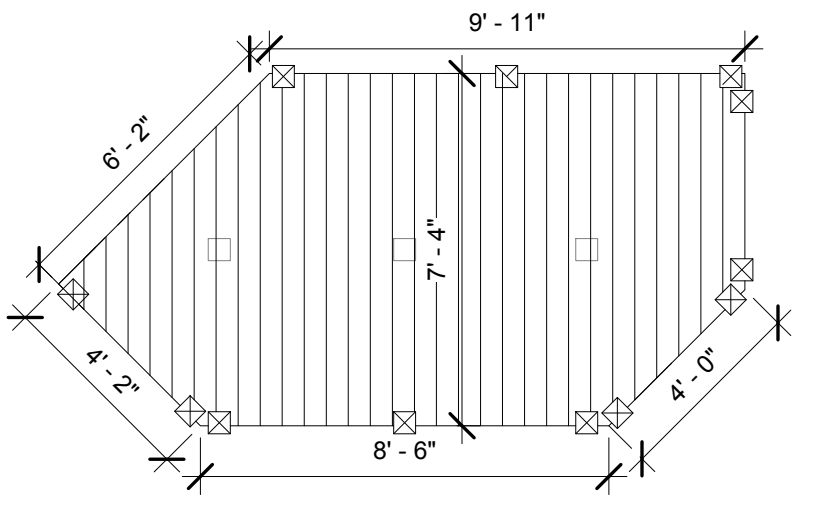
Kruse Park Dune Walk

Scale

SITE

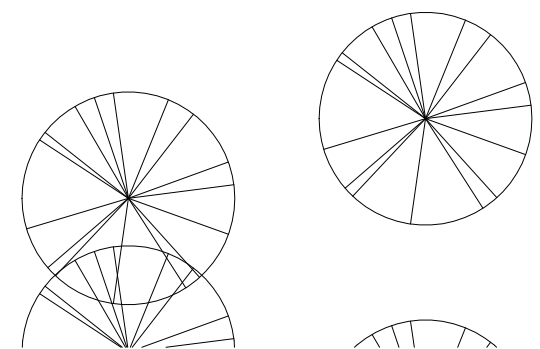
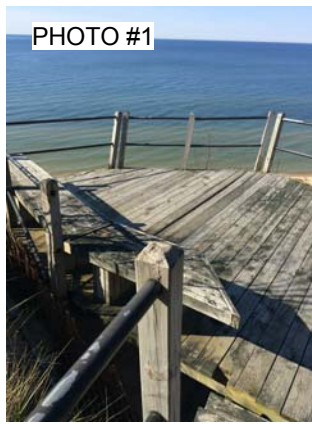
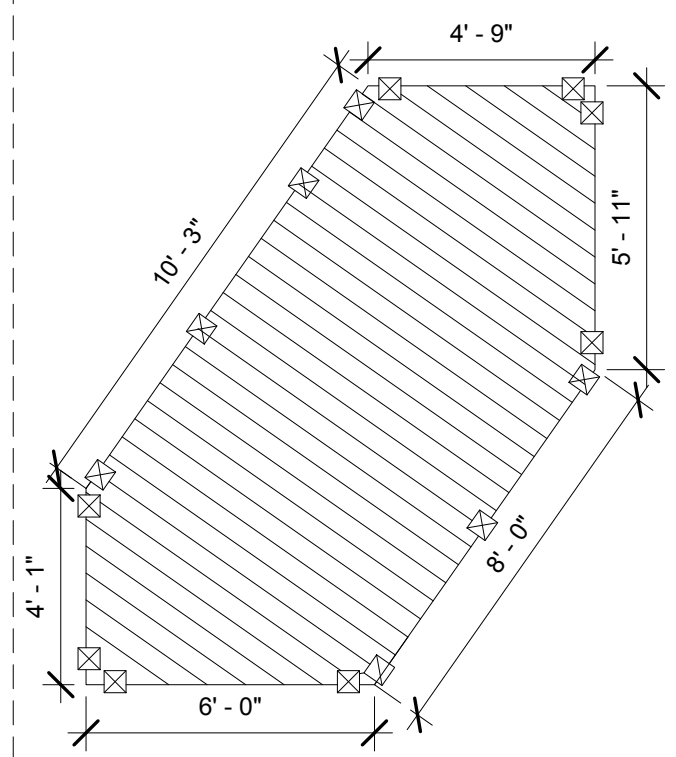


PLATFORM - 1 plan detail | scale: 1/4" = 1' - 0"



REPAIR OF
WOOD FRAMED
DUNE PLATFORM
LESS THAN 100 S.F.
EXISTING
FOOTPRINT
TO REMAIN

PLATFORM - 1A plan detail | scale: 1/4" = 1' - 0"



04/27/16

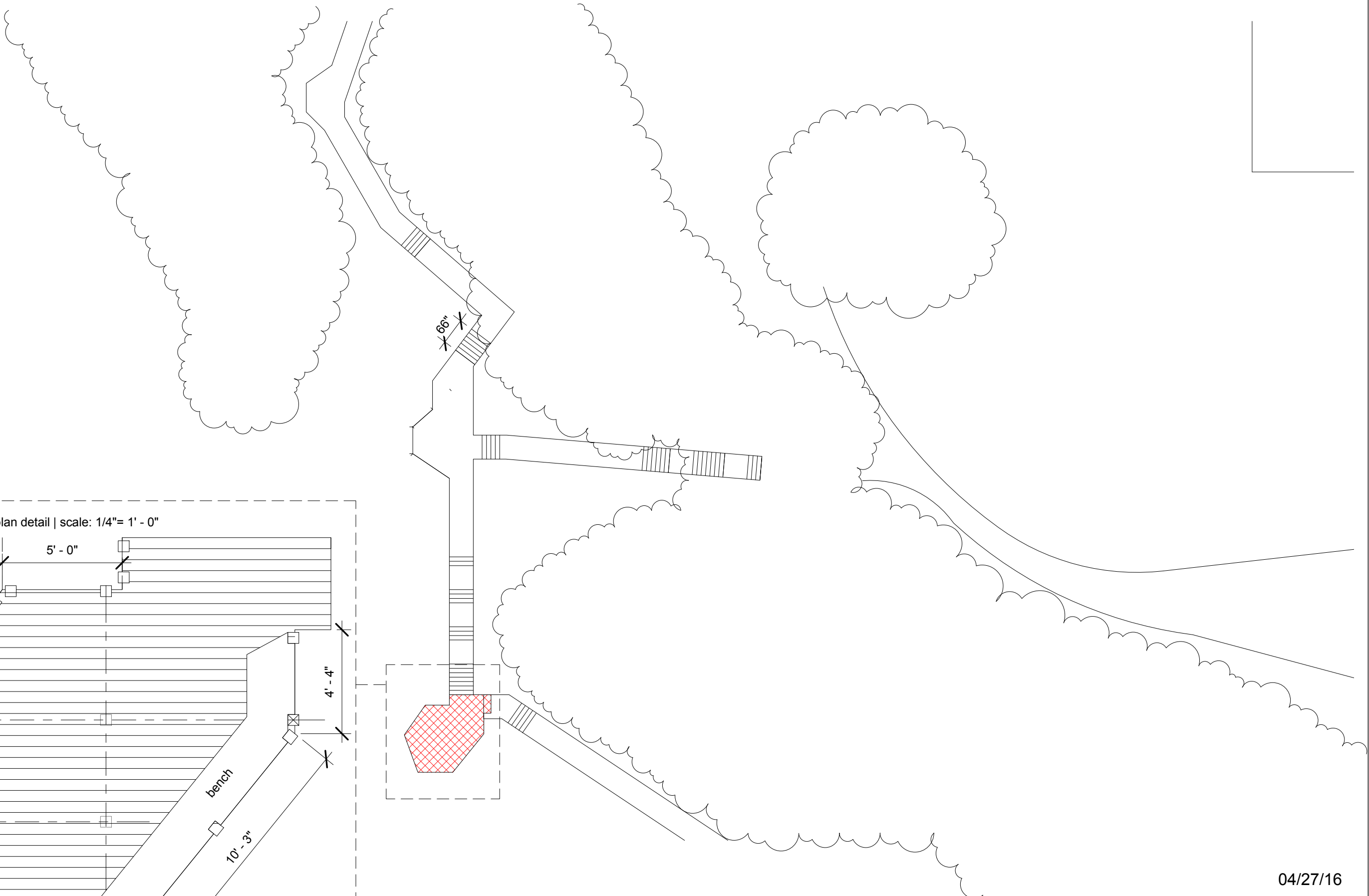
andrea j riegler,architect pllc

architect.ajr@gmail.com 231.557.0325

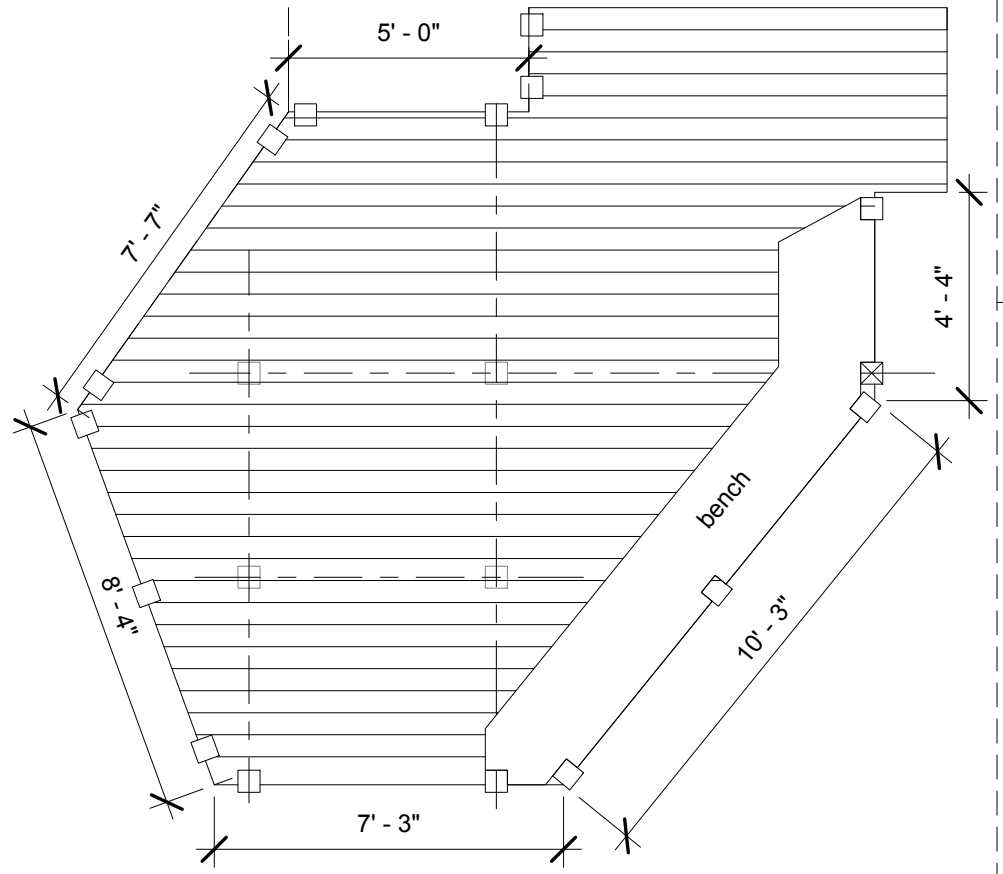
Kruse Park Dune Walk

Scale 1" = 20'-0"

A101



PLATFORM - 2 plan detail | scale: 1/4" = 1' - 0"



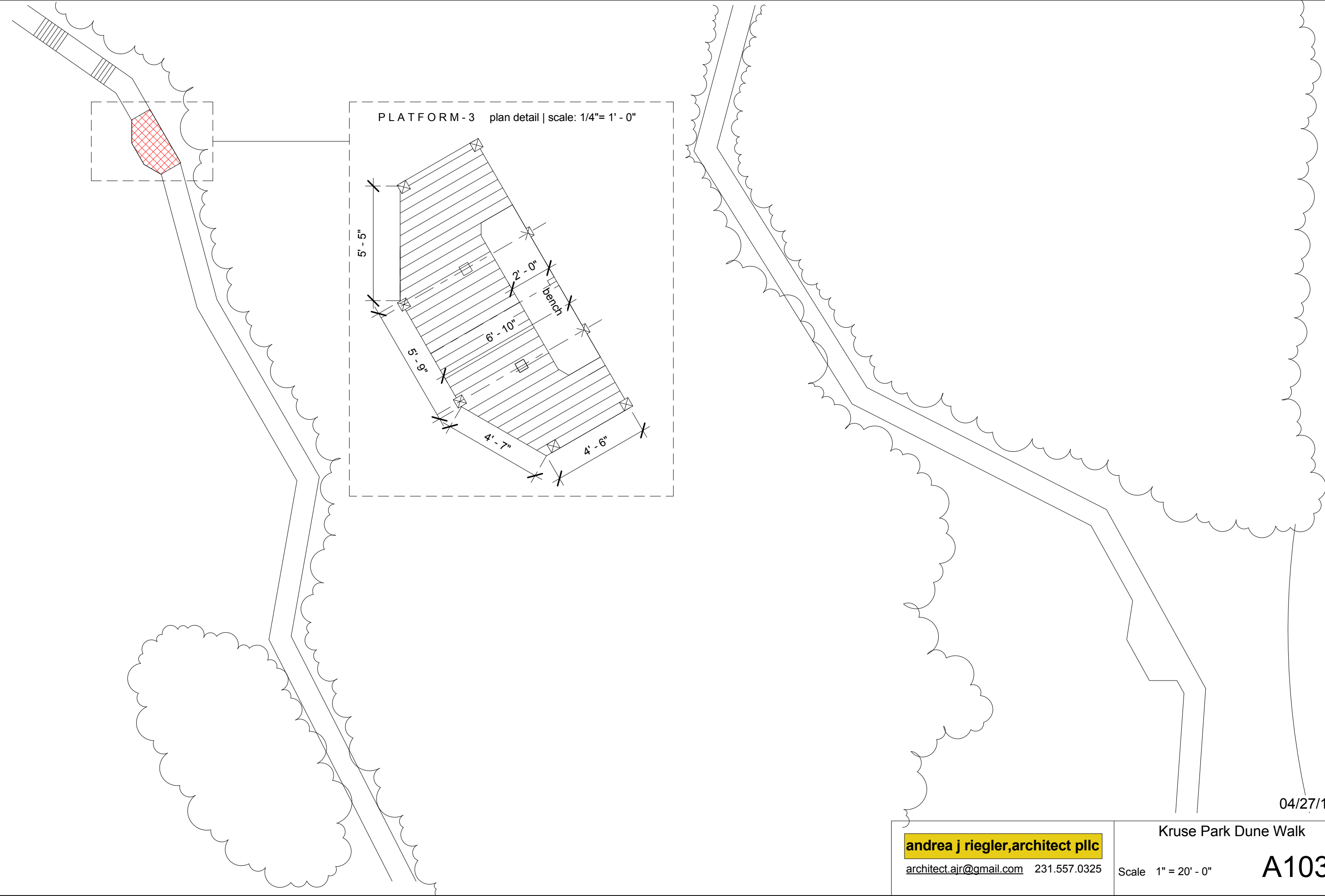
04/27/16

andrea j riegler,architect pllc
 architect.ajr@gmail.com 231.557.0325

Kruse Park Dune Walk

Scale 1" = 20'-0"

A102



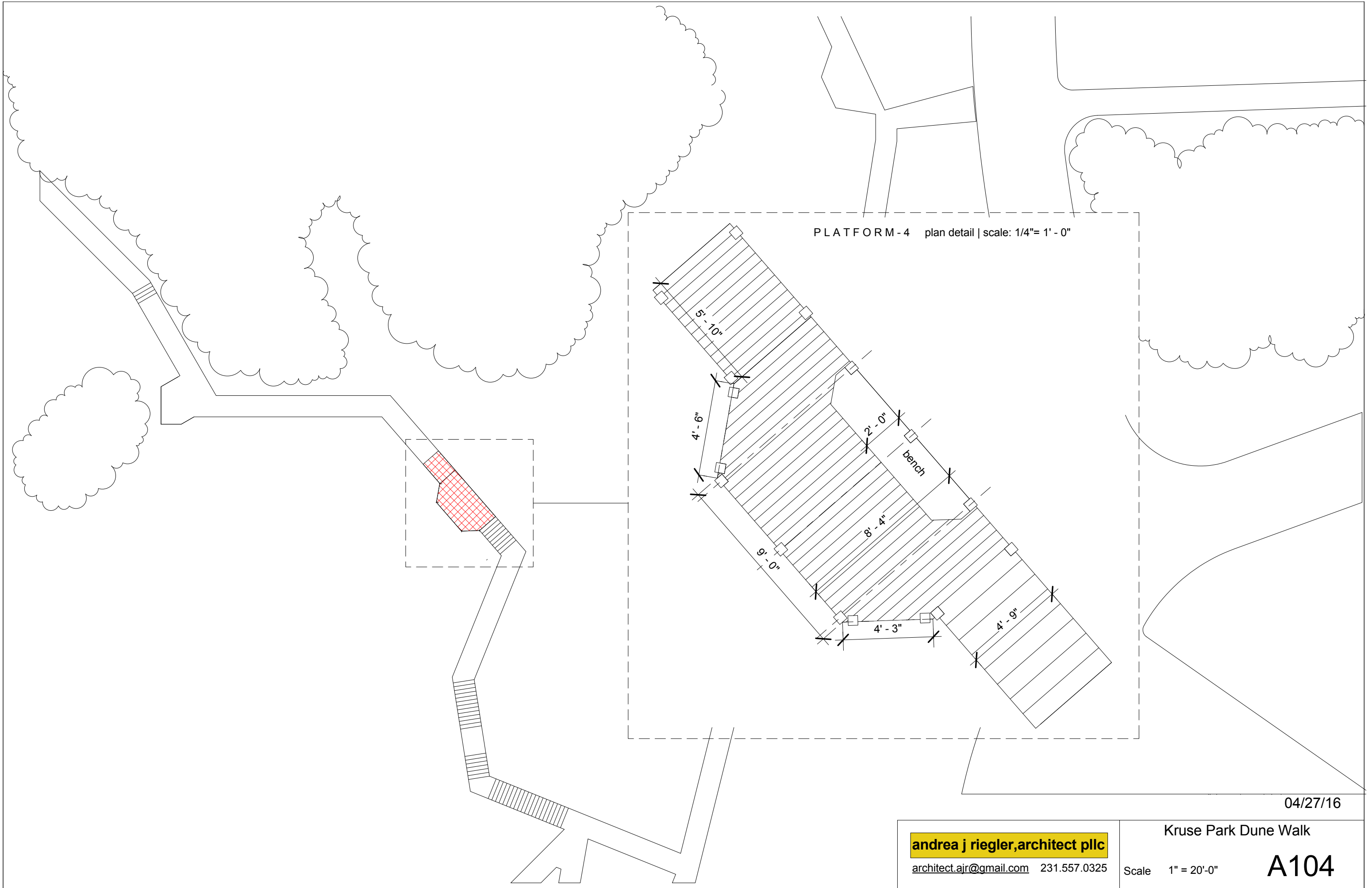
04/27/16

andrea j riegler,architect pllc
architect.ajr@gmail.com 231.557.0325

Kruse Park Dune Walk

Scale 1" = 20' - 0"

A103



PLATFORM - 4 plan detail | scale: 1/4" = 1' - 0"

04/27/16

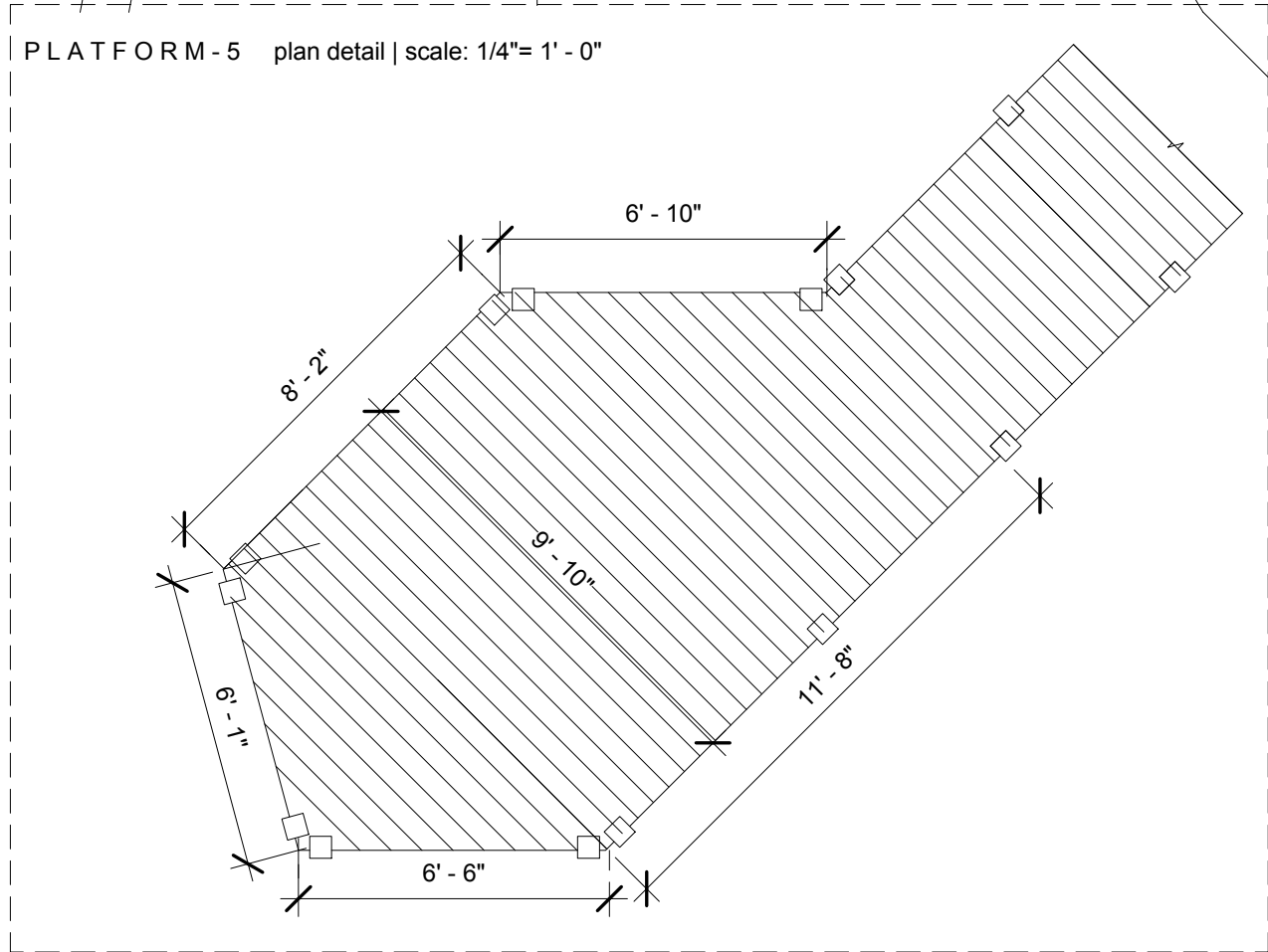
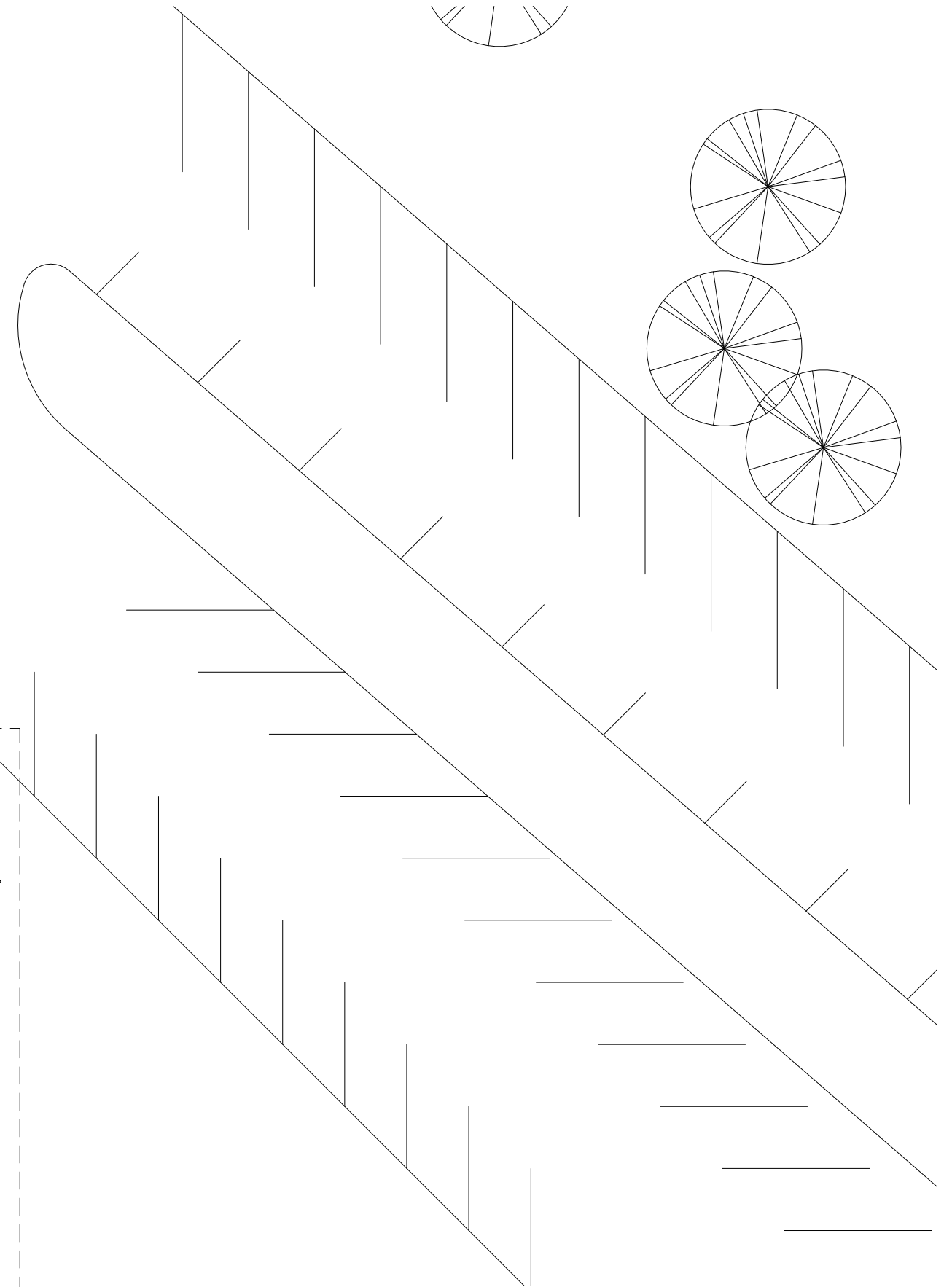
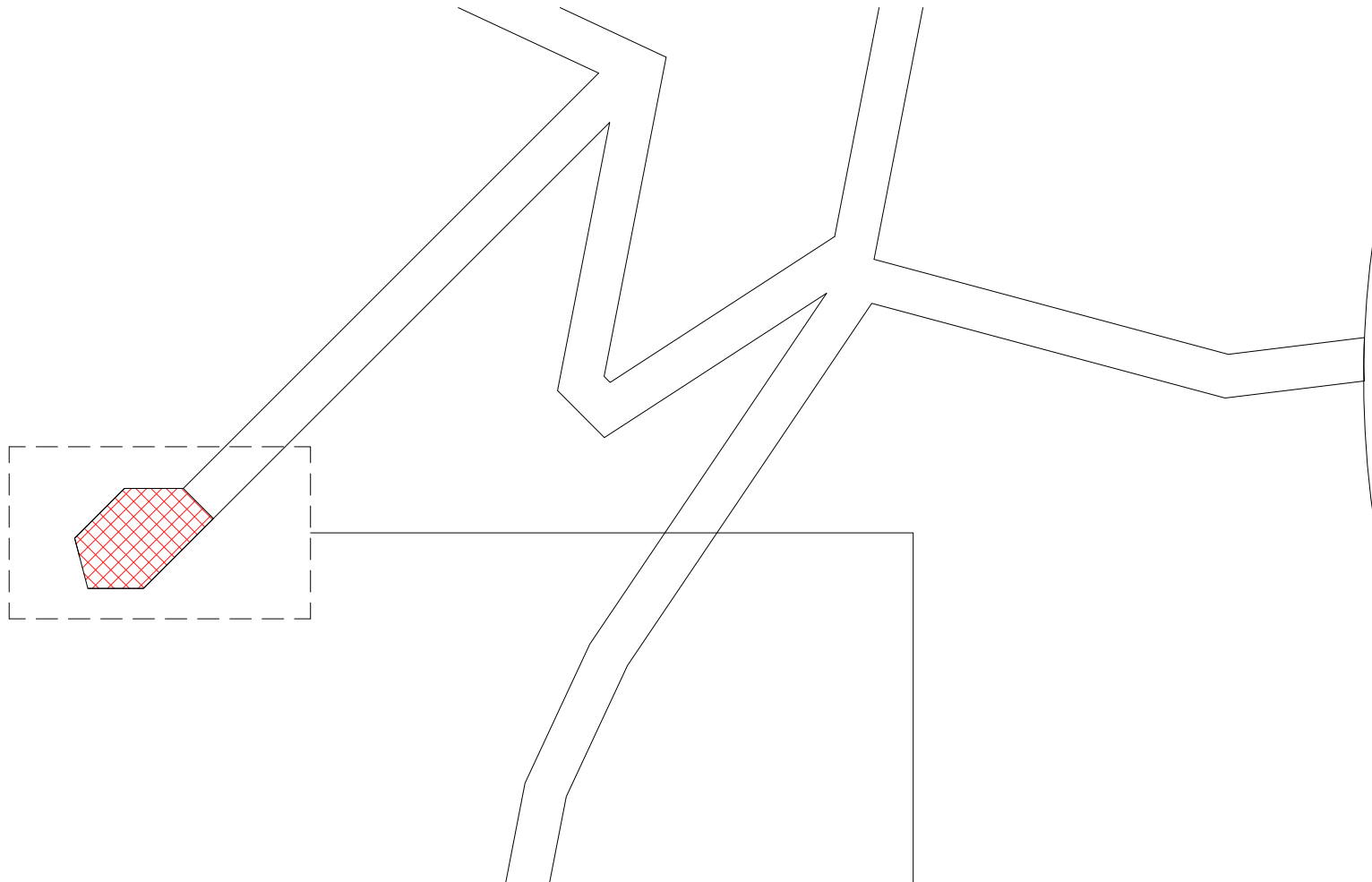
andrea j riegler,architect pllc

architect.ajr@gmail.com 231.557.0325

Kruse Park Dune Walk

Scale 1" = 20'-0"

A104

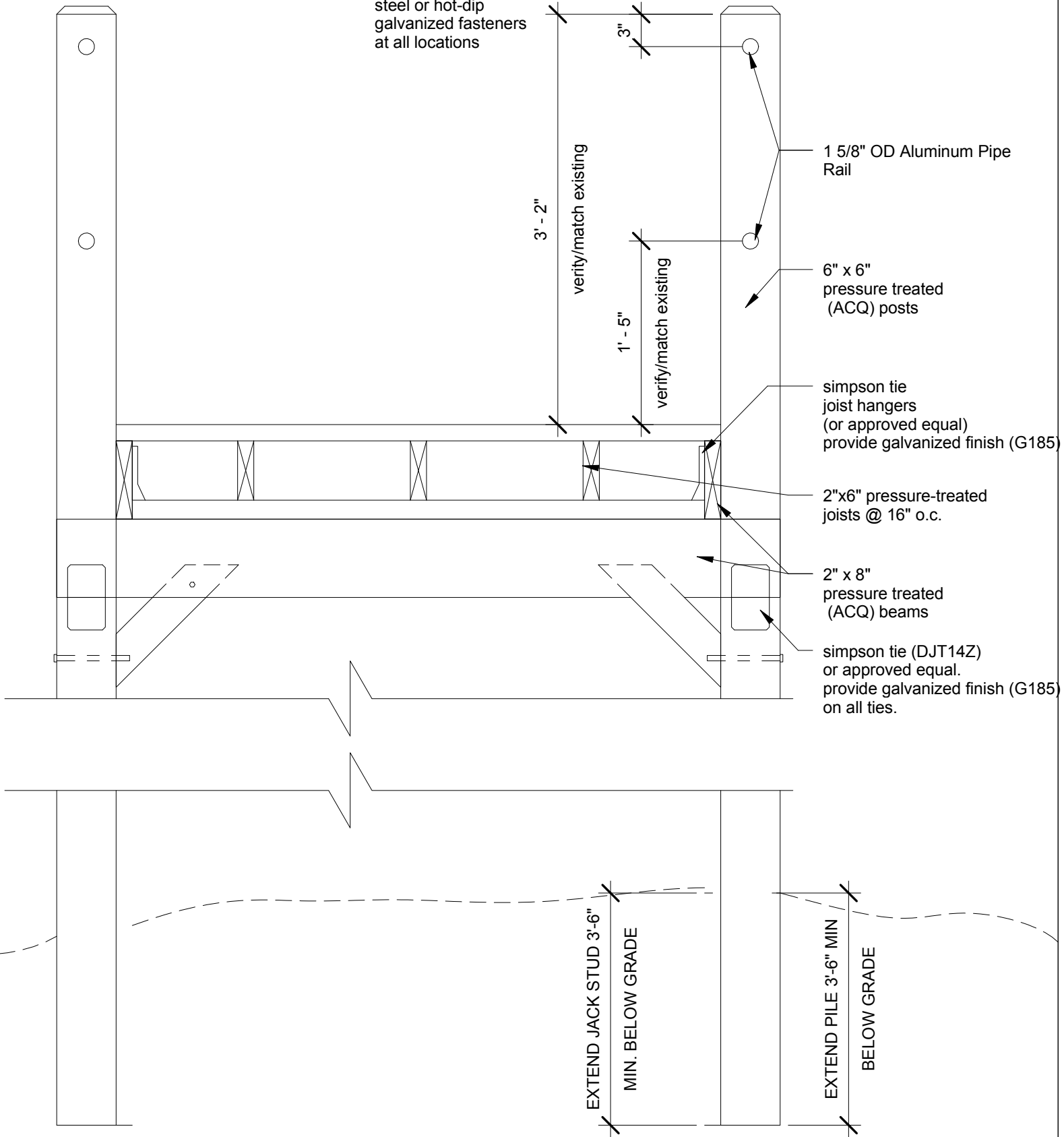


04/27/16

andrea j riegler,architect pllc
 architect.ajr@gmail.com 231.557.0325

Kruse Park Dune Walk
 Scale 1" = 20'-0"
A105

use only stainless steel or hot-dip galvanized fasteners at all locations



1 5/8" OD Aluminum Pipe Rail

6" x 6" pressure treated (ACQ) posts

simpson tie joist hangers (or approved equal) provide galvanized finish (G185)

2"x6" pressure-treated joists @ 16" o.c.

2" x 8" pressure treated (ACQ) beams

simpson tie (DJT14Z) or approved equal. provide galvanized finish (G185) on all ties.

3' - 2"

verify/match existing

1' - 5"

verify/match existing

EXTEND JACK STUD 3'-6"

MIN. BELOW GRADE

EXTEND PILE 3'-6" MIN

BELOW GRADE

Kruse Park Dune Walk

TYP. CROSS SECTION

Project number Project Number

Date 04/27/16

Drawn by ajr

A106

Scale 1" = 1'-0"